

1

2

3

4

5

6

A

A

B

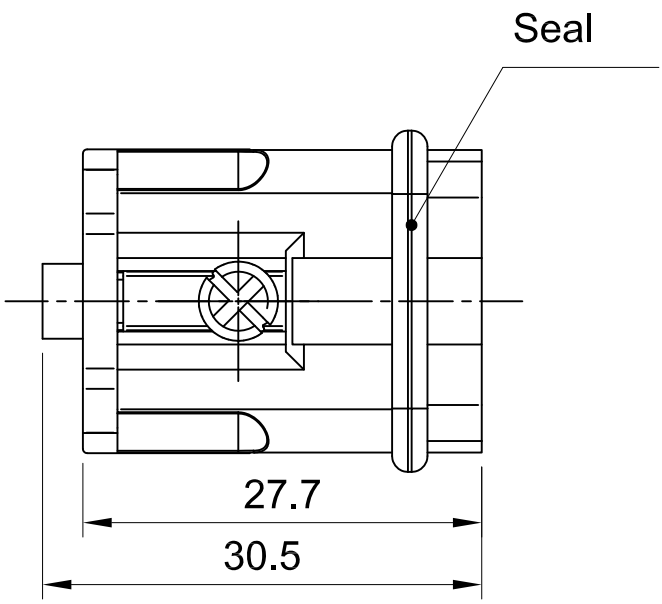
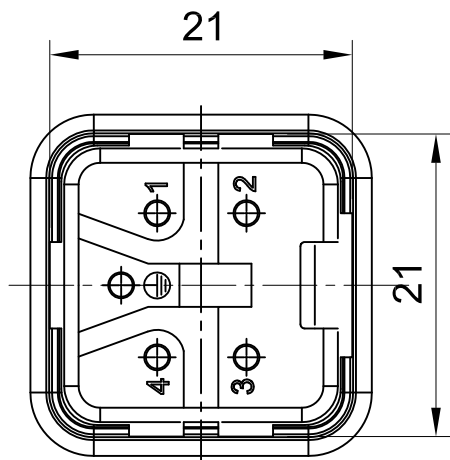
B

C

C

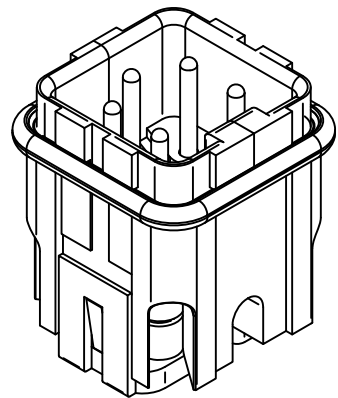
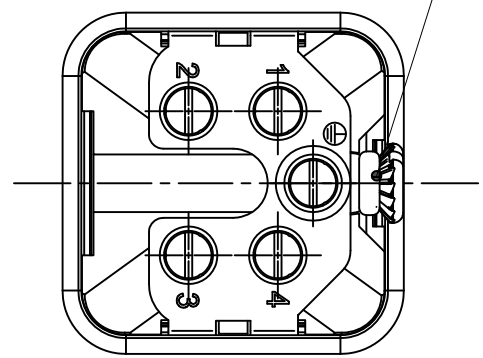
D



D



Seal

Countersunk screw M3x6



 All Dimensions in mm Original Size DIN A4	Date 2020-11-25	Drawing No. TC6814949	Rev. A00	Scale 2:1
	 InKonn® InKonn (Suzhou) Electric Technology Co.,Ltd.	Part No. 10 30 004 1101	Created by Shuxu Huang	Checked by Yiyi Luo
Type Name IA-004-M/FPM				

1

2

3

4

5

6